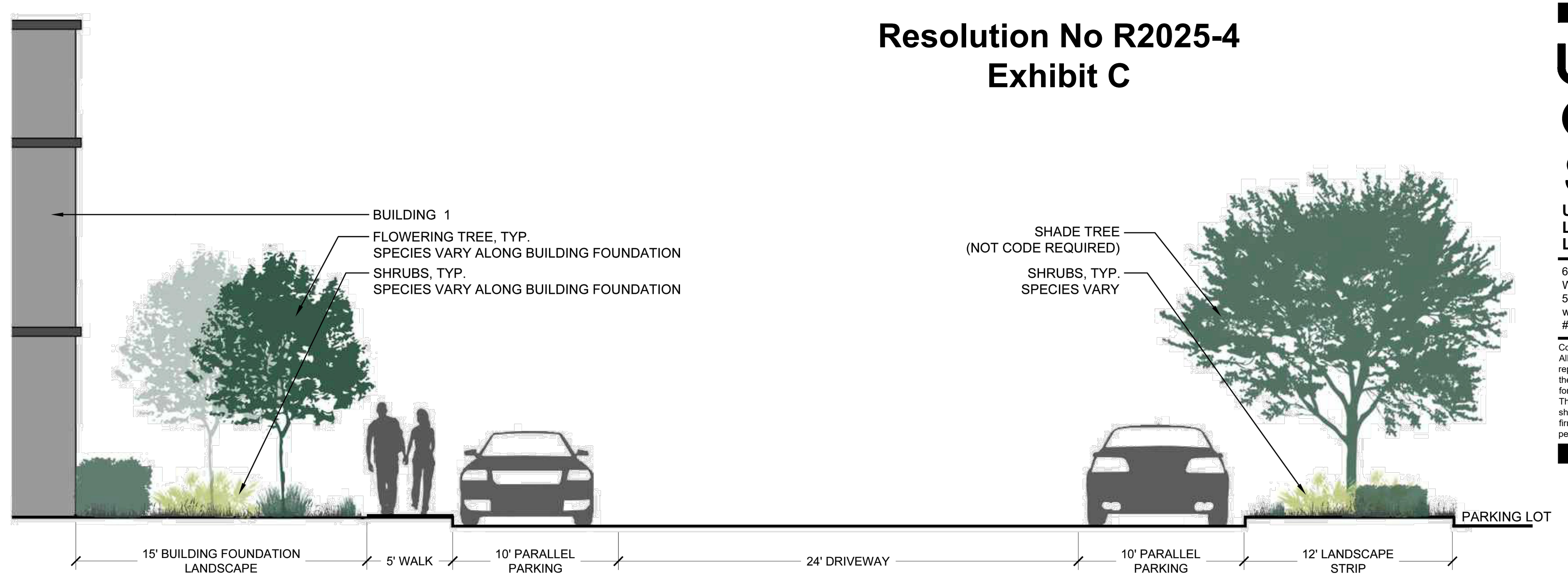
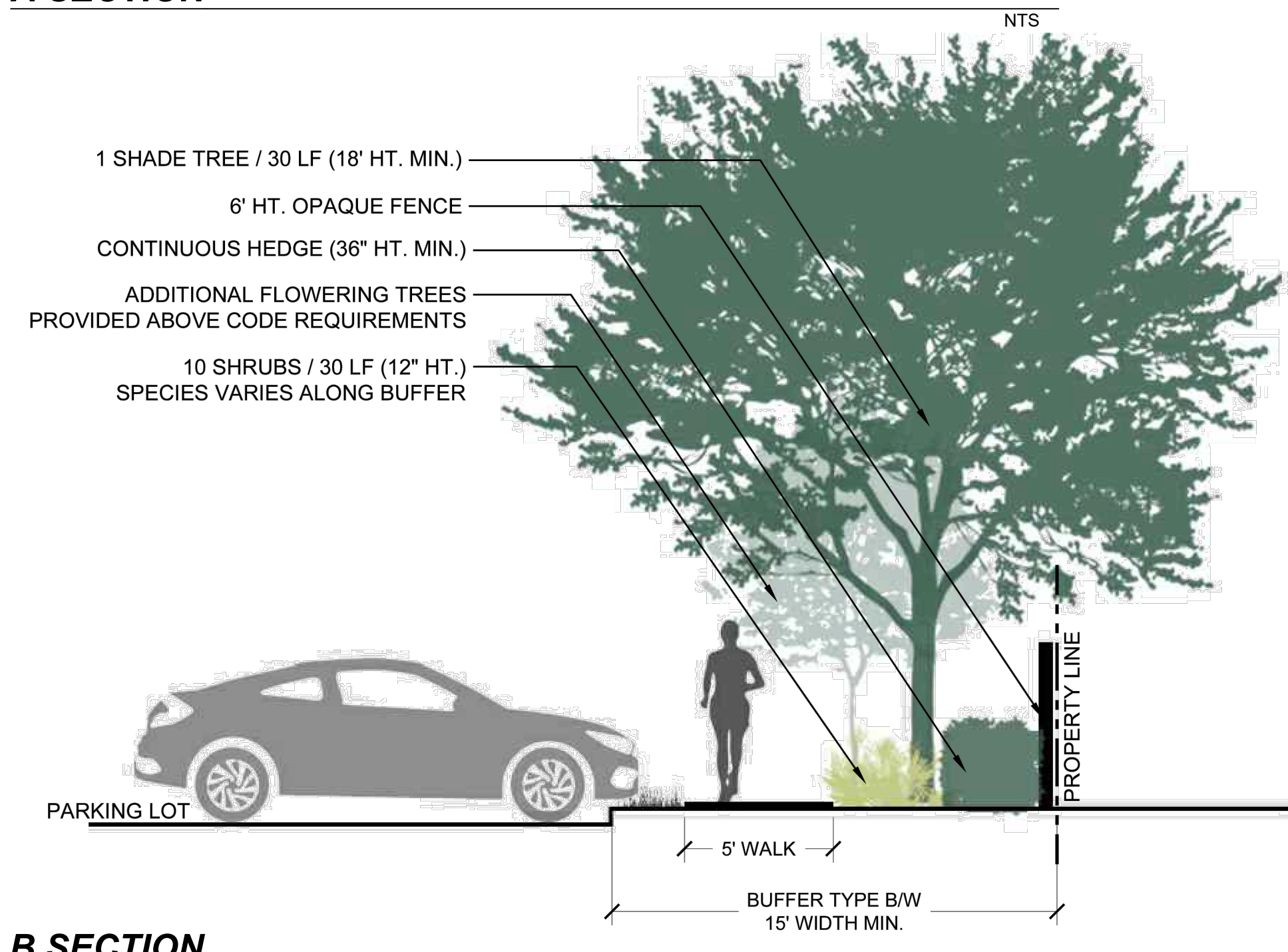


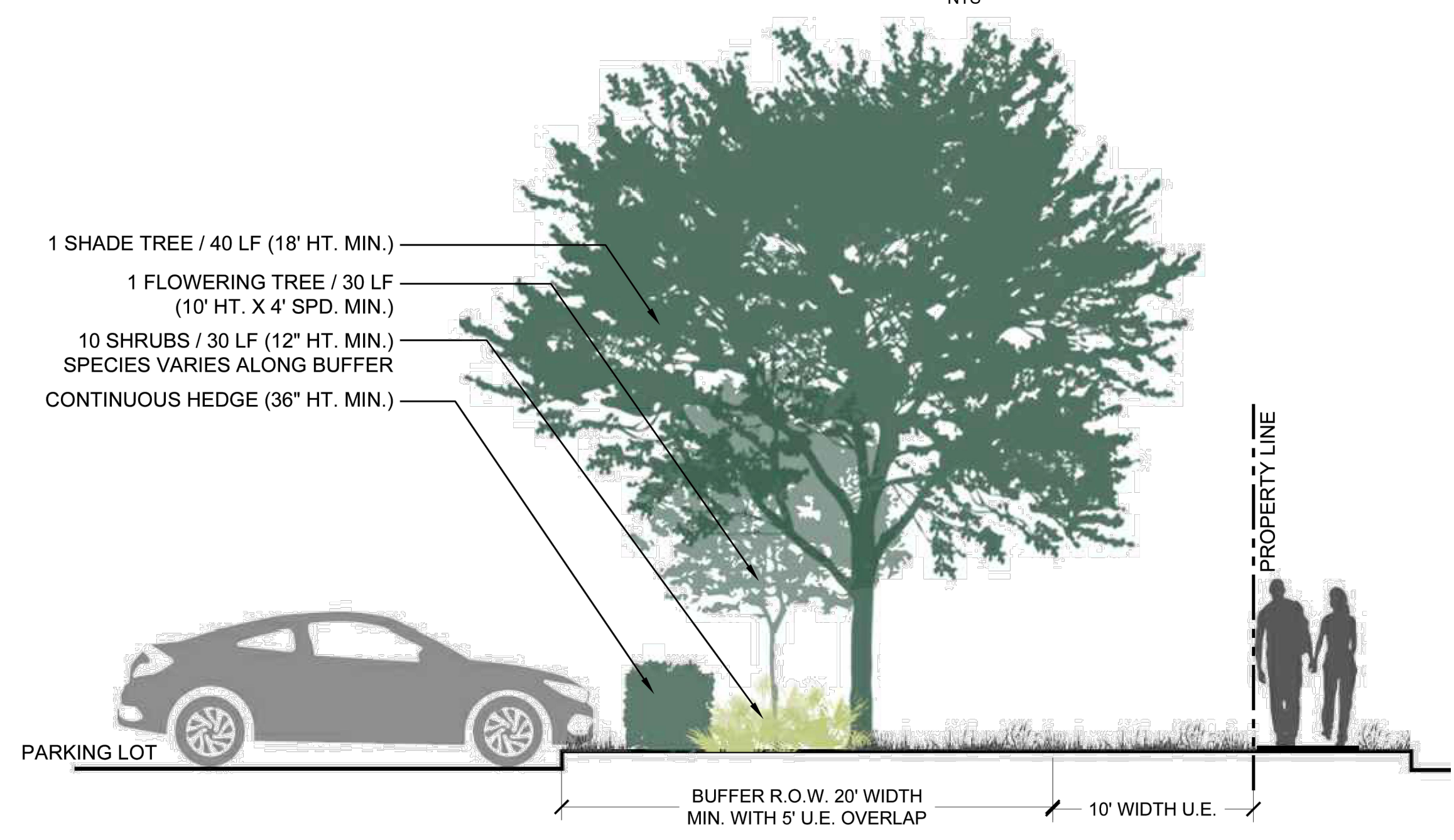
**A SECTION**



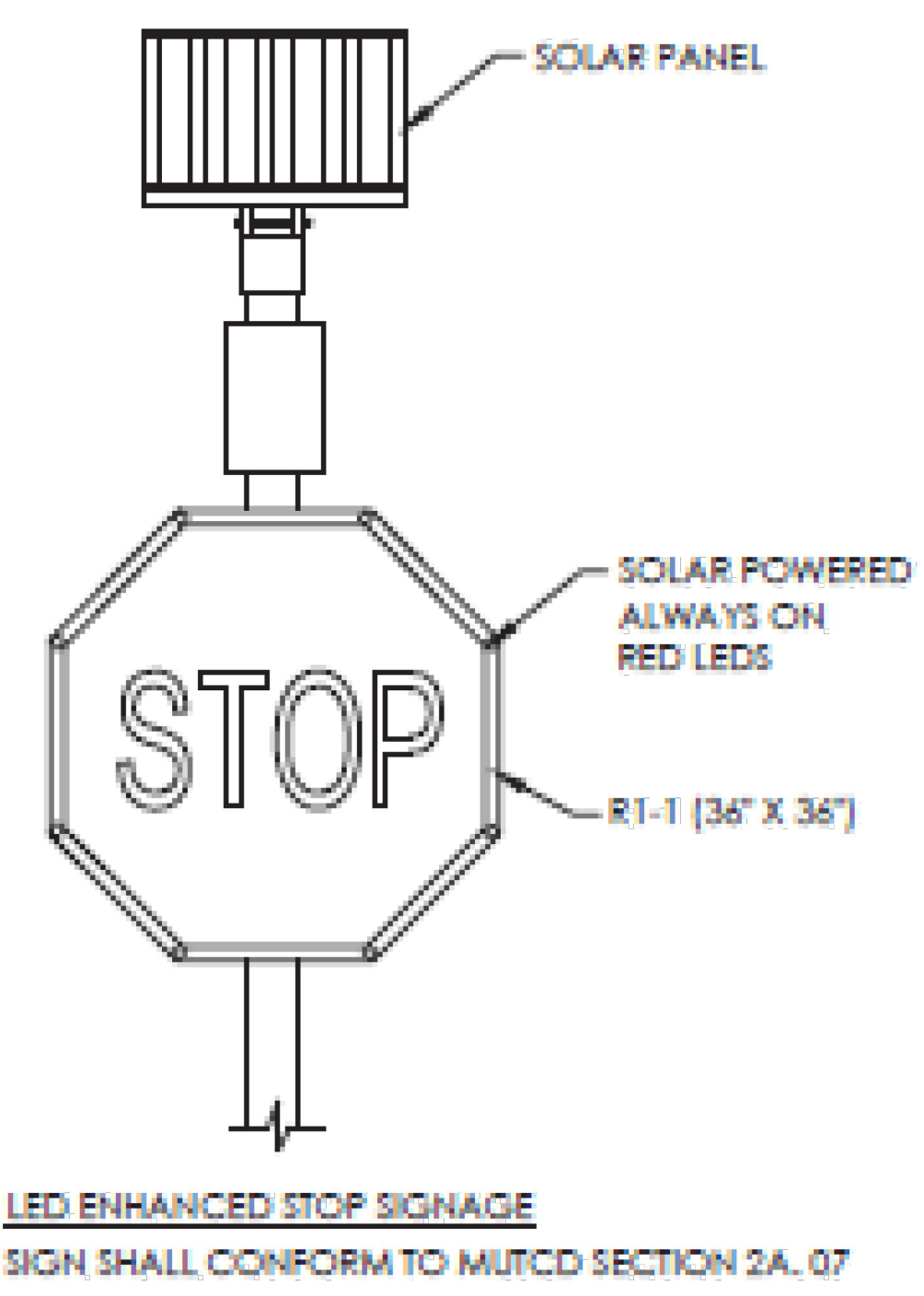
**ENTRY DRIVE CROSS SECTION**



**B SECTION**



**C SECTION**



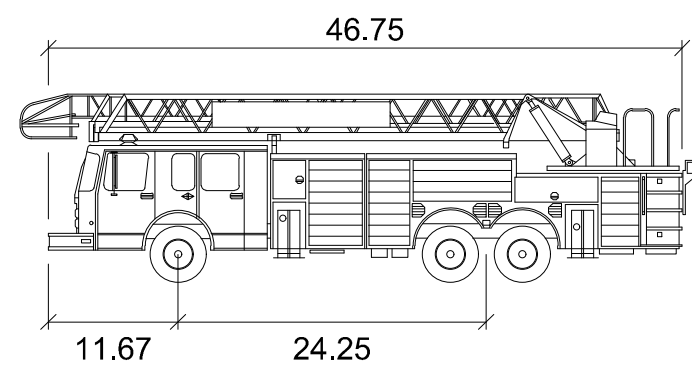
**CROSSWALK WITH ENHANCED LED STOP SIGNAGE DETAILS**

**Resolution No R2025-4  
Exhibit C**

ZONING APPROVAL BOX

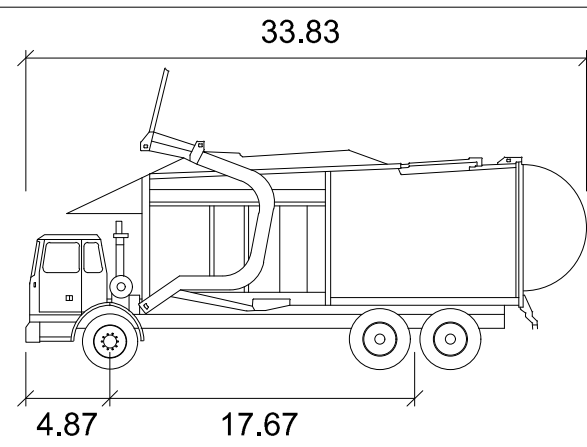
Date: May 2024  
Project No.: 22-046.001  
Designed By: JEV  
Drawn By: JEV  
Checked By: JB

Revision Dates:  
2024-05-15 Submittal  
2024-08-06 Resubmittal  
2024-10-25 Resubmittal



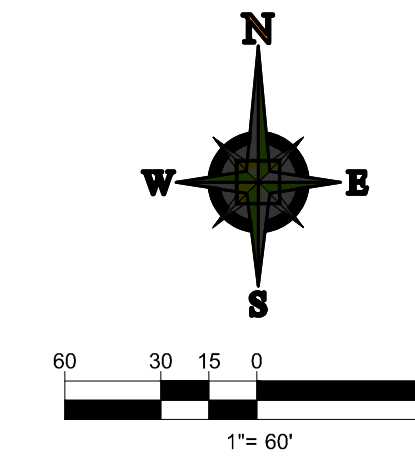
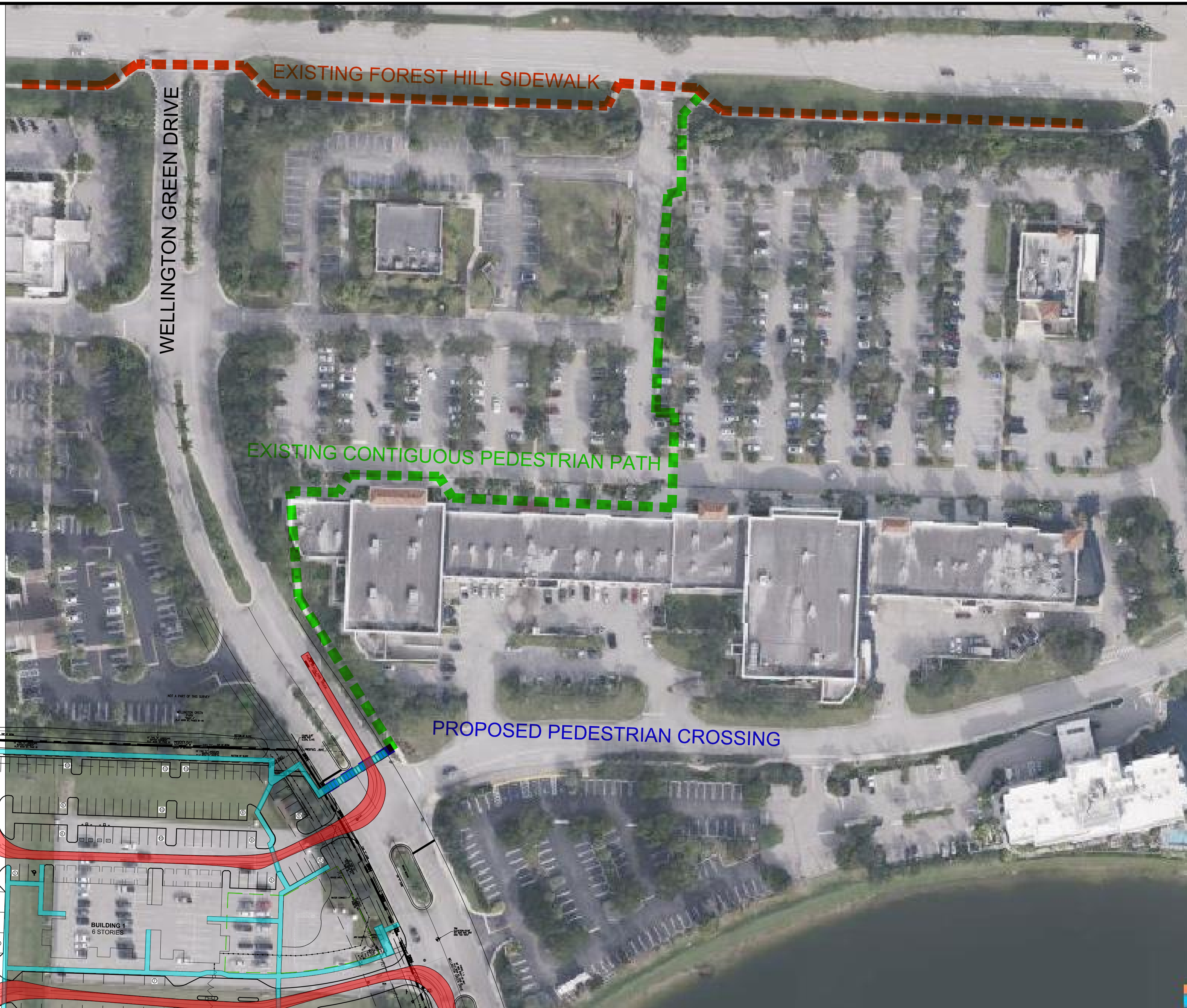
Palm Beach Fire

	feet
Width	: 9.00
Track	: 6.83
Lock to Lock Time	: 6.0
Steering Angle	: 45.0



Wayne Titan

	feet
Width	: 8.46
Track	: 8.00
Lock to Lock Time	: 6.0
Steering Angle	: 45.0



**THOMAS**  
ENGINEERING GROUP

CIVIL ENGINEERS - PROJECT MANAGERS - LAND PLANNING - LANDSCAPE ARCHITECTS

4850 W. KENNEDY BLVD.  
TAMPA, FL 33609  
P: 813-375-1100

6300 NW 31ST AVENUE  
TAMPA, FL 33609  
P: 813-202-7000

REVISIONS			
REV.	DATE	COMMENT	BY

**811** KNOW WHAT'S BELOW  
ALWAYS CALL 811  
BEFORE YOU DIG

It's fast. It's free. It's the law.

www.callsunshine.com

PROJECT No.:	FJ180003.03
DRAWN BY:	JMG
CHECKED BY:	JMG
DATE:	10/7/2024
CAD I.D.:	FJ240014-CIRCULATION-PLAN

PROJECT:  
**WELLINGTON GREEN PARK TRACT**

FOR  
**BAINBRIDGE**

VILLAGE OF WELLINGTON  
FLORIDA

**THOMAS**  
ENGINEERING GROUP

840 SE OSCEOLA ST.  
STUART, FL 34994  
PH: (772) 888-3138

www.ThomasEngineeringGroup.com

**JASON M. GUNTHER**  
No. 58629

PROFESSIONAL ENGINEER  
October 16, 2024  
FLORIDA LICENSE NO. 60824  
FLORIDA BUSINESS REGISTRATION NO. 27528

SHEET TITLE:  
**CIRCULATION PLAN**

SHEET NUMBER:  
**CP-01**

INDICATES MIN. 5' ADA ACCESSIBLE PATH

Printed on Wednesday, October 16, 2024, 2:07 PM by Jason Gunther  
Wellington Green Park Tract - Circulation Plan - CP-01 - 10/16/2024 - 10:11:11 AM