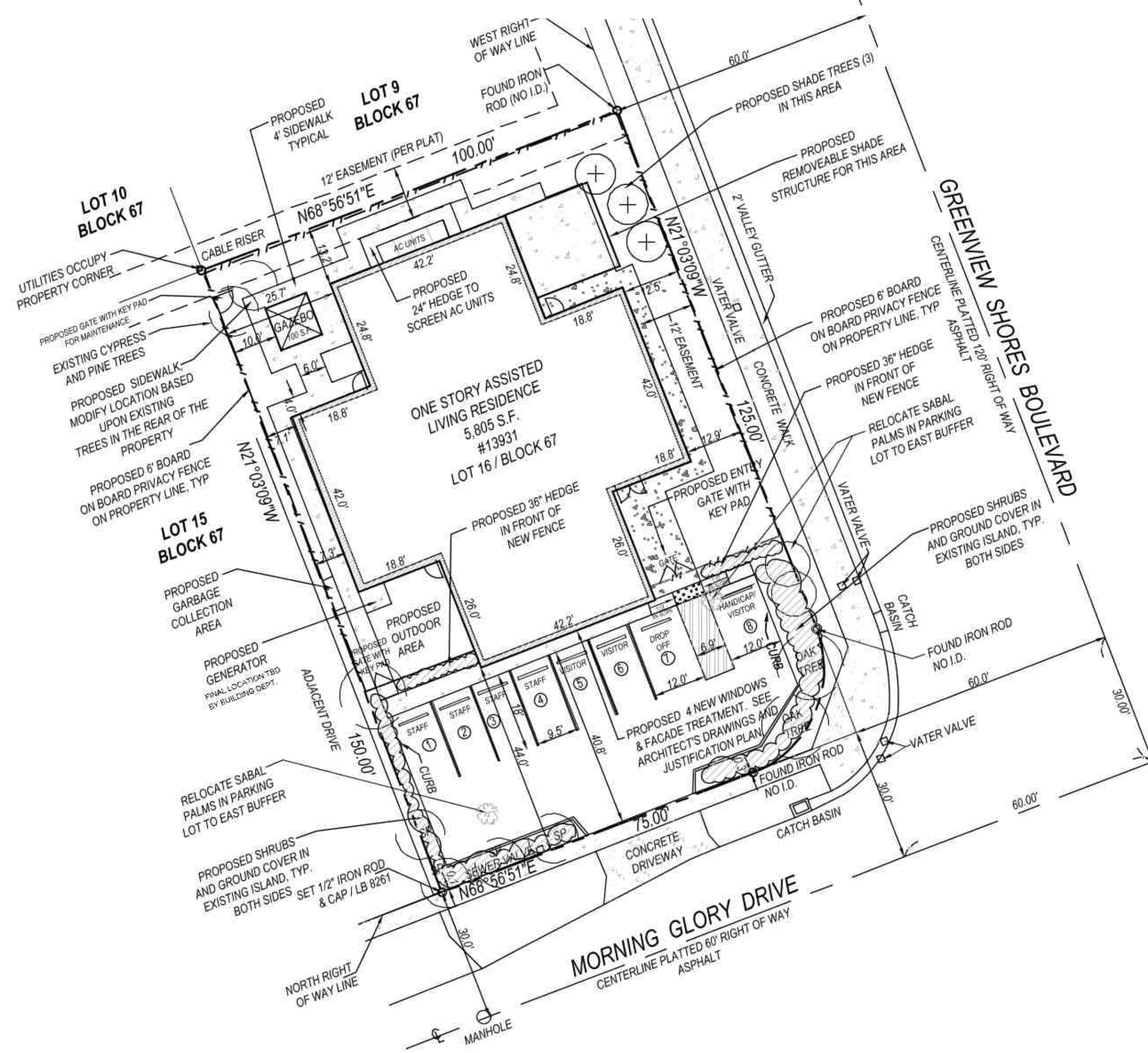


# Exhibit "A" Site Plan

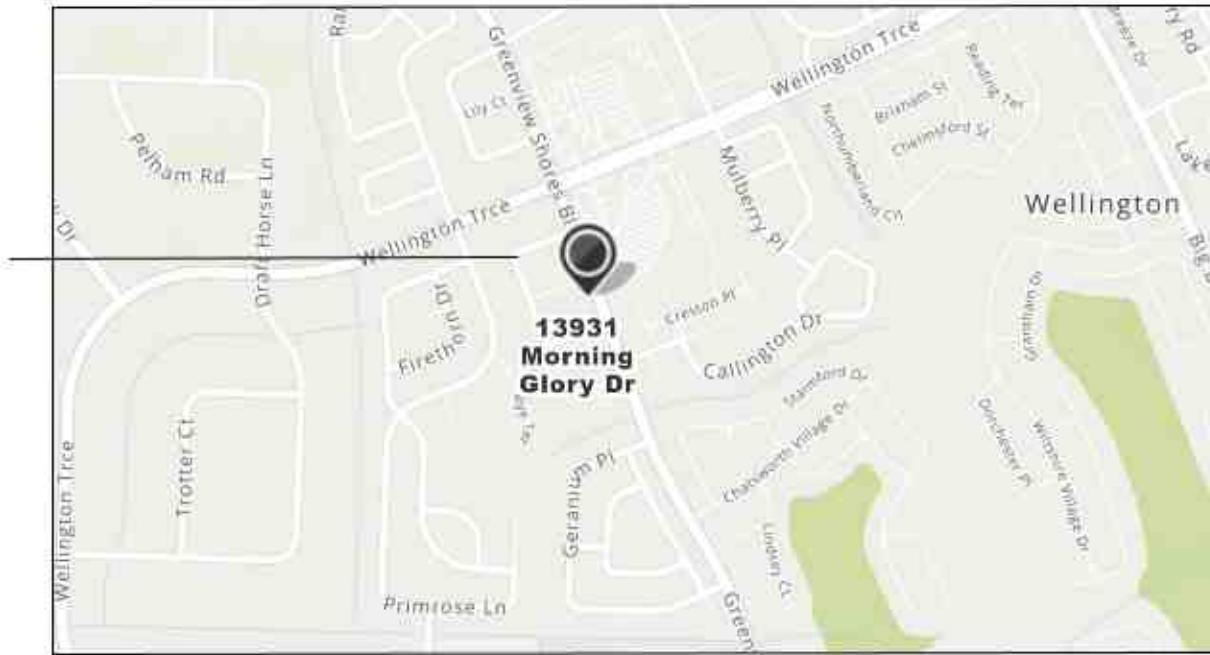
Reso. No. R2020-61



## Square Sail Cloth

PROPOSED 20' X 20' STRUCTURE ATTACHED TO EAST SIDE OF THE BUILDING WITH POSTS IN THE LAWN AREA  
REMOVABLE FOR HURRICANE

SITE



Location Map  
NTS

### Site Data

APPLICATION NAME: 1074 HYACINTH PLACE  
 APPLICATION NUMBER: 2020-0002-CU  
 EXISTING LAND USE: MULTI FAMILY  
 PROPOSED LAND USE: CONGREGATED LIVING FACILITIES, TYPE 2B  
 LOCATION: 13931 MORNING GLORY DRIVE, VILLAGE OF WELLINGTON FL 33414  
 FUTURE LAND USE: F 8.01 DU/A 12 DU/AC  
 PROPERTY CONTROL NO: 73-41-44-04-01-067-0160  
 FACILITY TYPE: RESIDENTIAL CARE  
 CARE TYPE: CLF  
 TYPE: TYPE 2B

	ACRES	S.F.	PERCENTAGE
GROSS SITE AREA:	.34 ACRES	14,865.9 S.F.	100%
TOTAL IMPERVIOUS AREA:	.26 ACRES	11,557.8 S.F.	78%
BUILDING COVERAGE:	.13 ACRES	5,805 S.F.	39%
PAVEMENT AND SIDEWALK:	.13 ACRES	5,752.8 S.F.	39%
TOTAL PERVIOUS AREA:	.08 ACRES	3,308.1 S.F.	22%
GROSS FLOOR AREA:	5,805 S.F.		
FAR:	.39		

EXISTING NUMBER OF BEDS: 8  
 PROPOSED NUMBER OF BEDS: 21  
 REQUIRED VISITOR PARKING: 1 SPACE PER 7 RESIDENTS / 3 SPACES / LABELED VISITOR  
 REQUIRED STAFF PARKING: 1 SPACE PER EMPLOYEE / 4 SPACES / LABELED STAFF  
 REQUIRED HANDICAP PARKING: 1 SPACE (NOTE VISITOR/HANDICAP IS ONE SPACE)  
 REQUIRED DROP OFF AREA PARKING: 1 SPACE  
 TOTAL REQUIRED PARKING: 8 SPACES

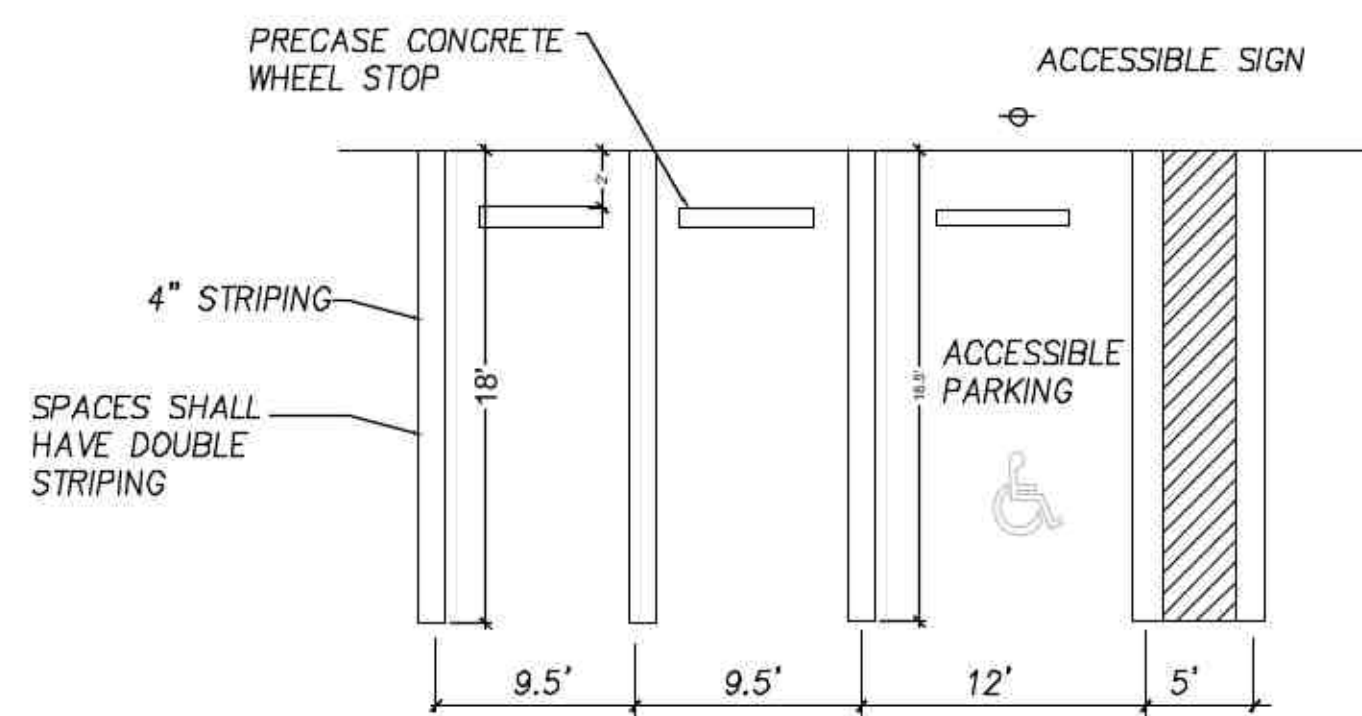
TOTAL PROVIDED PARKING: 8 SPACES

PER SECTION 6.4.4.30, MINIMUM STAFF STANDARDS  
 4 STAFF ON DUTY 7AM - 7PM  
 2 STAFF ON DUTY 7PM - 7AM

NOTE: RESIDENT PERSONAL VEHICLE PARKING PROHIBITED

EXISTING BUILDING HEIGHT: 15' / ONE STORY

### Parking Lot Striping



Debra L. Northsea  
 Landscape Architect  
 6008 Eagles Nest Drive  
 Jupiter, Florida 33458  
 Phone: (561-758-6739)  
 Fla. Registration #1521  
 Email: DLNLADESIGN@aol.com

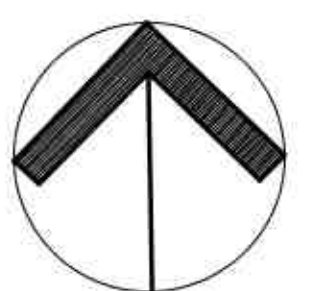
# 13931 MORNING GLORY

## Village of Wellington

### Preliminary Site Plan

Date	Drawn By	Comments
07/07/20	DLN	Preliminary Site Plan
08/06/20	DLN	Preliminary Site Plan
08/14/20	DLN	Preliminary Site Plan
09/16/20	DLN	COMMENTS
10/02/20	DLN	NOTES
10/22/20	DLN	PAINTED LINES

SEAL



Scale: 1" = 20'-0"

