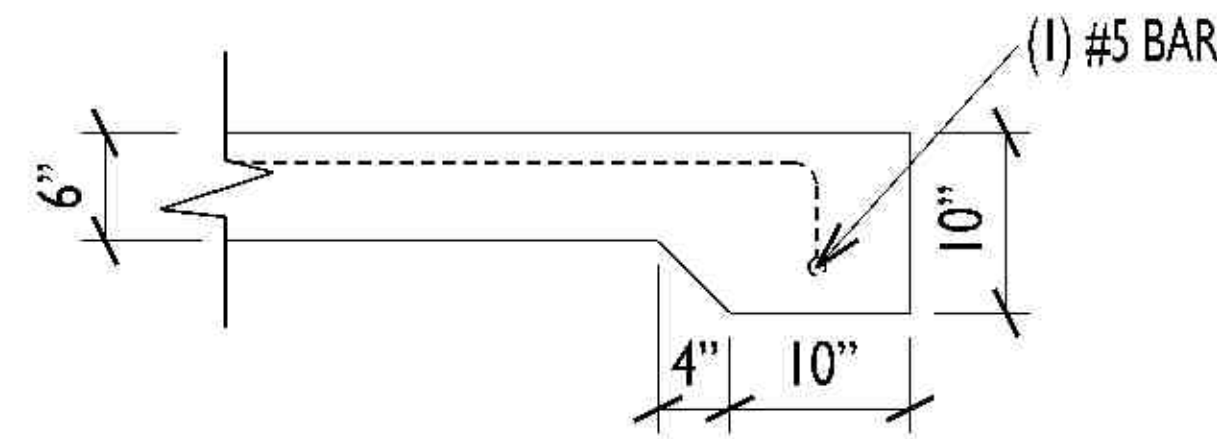
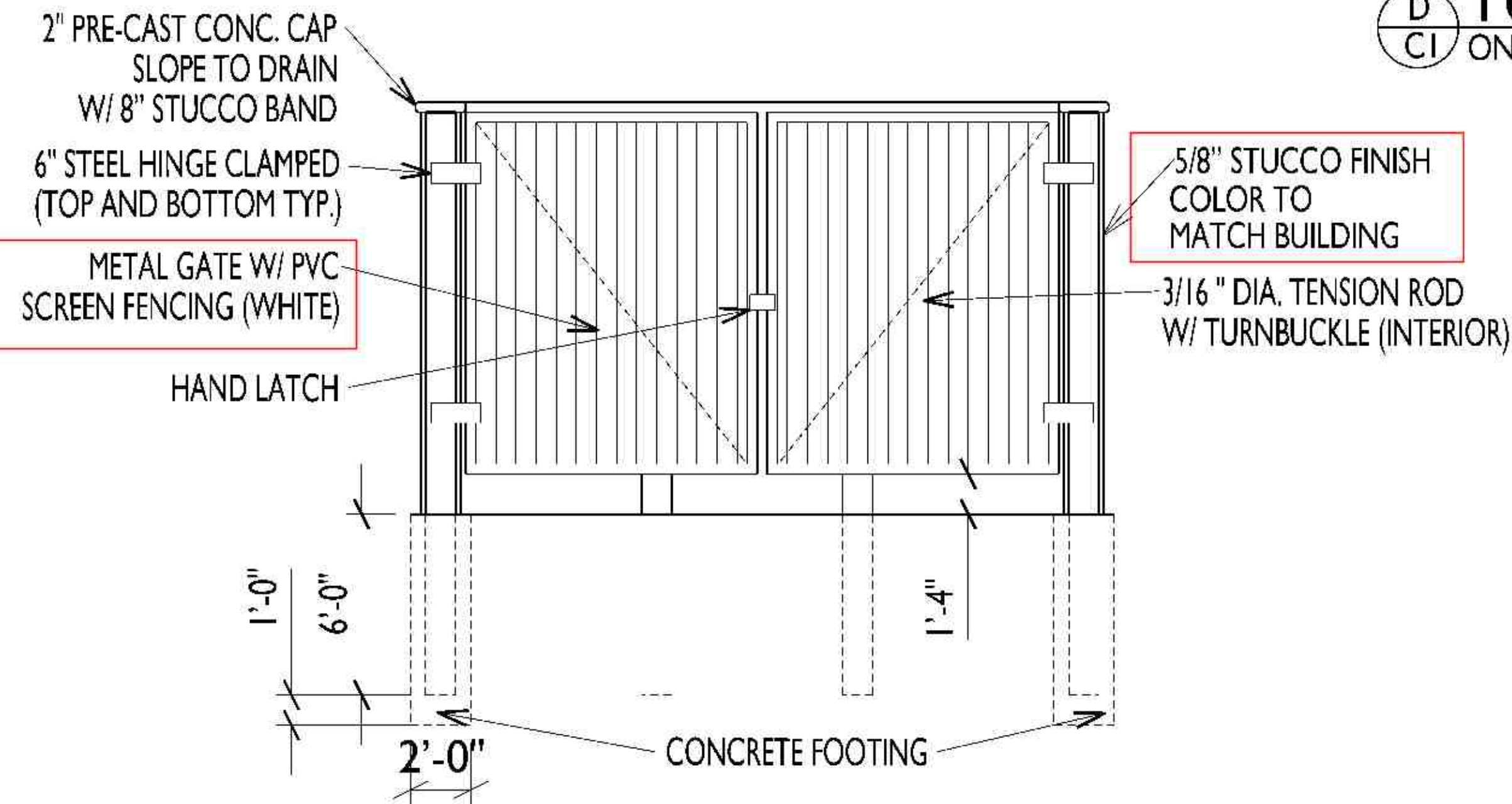


REVISIONS

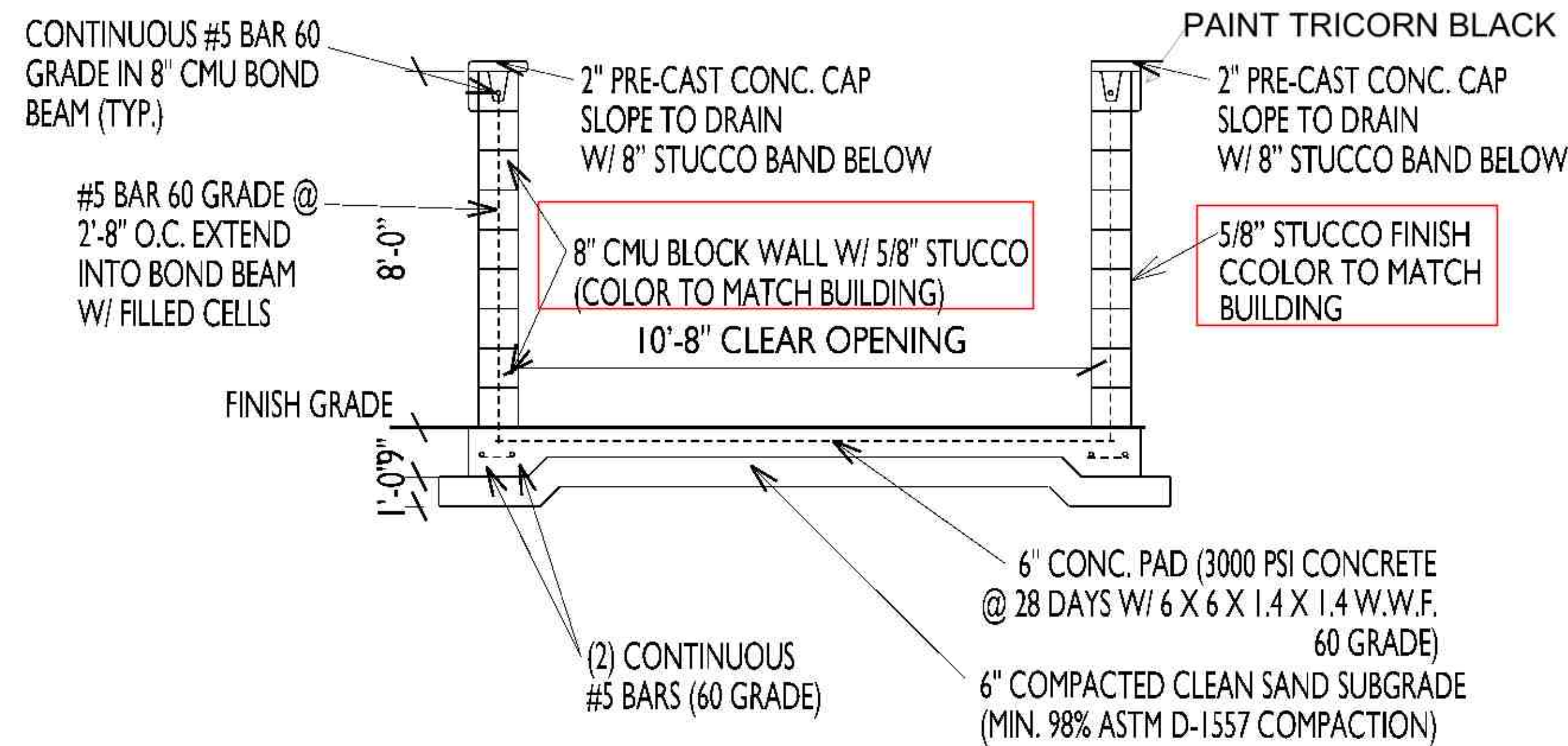
Exhibit F - Dumpster Enclosure



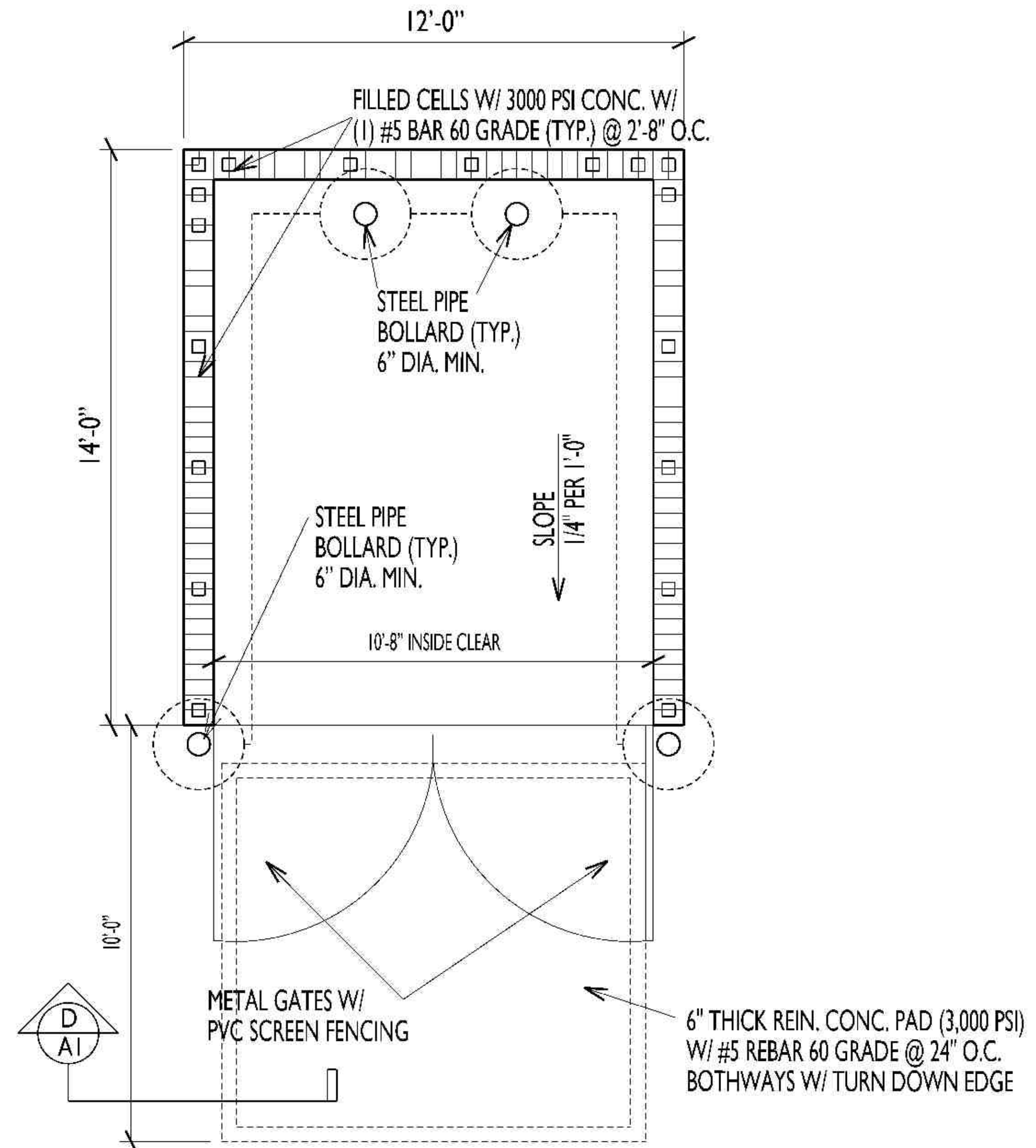
(D) CI TURN DOWN DETAIL
ON ALL (4) SIDES OF PAD N.T.S.



(C) CI DUMPSTER ENCLOSURE SECTION
N.T.S.



(B) CI DUMPSTER ENCLOSURE SECTION
N.T.S.



(A) CI DUMPSTER ENCLOSURE PLAN
WALLS TO BE 5/8" THICK STUCCO FINISHED & PAINTED SAME COLOR AS BUILDING N.T.S.

GENERAL NOTES:
ALL GENERAL & SUB-CONTRACTORS TO FIELD VERIFY ALL DIMENSIONS.
ELECTRICAL, WATER, SEWER AND GAS SERVICE LOCATIONS.
ALL WORK MUST COMPLY WITH THE 2017 6TH EDITION (EXPOSURE 'D') OF THE FLORIDA BUILDING CODE SECT. 1609/ 165 MPH WIND LOAD AND THE FLORIDA ACCESSIBILITY CODE FOR BUILDING CONSTRUCTION.
ALL DOOR & WINDOW OPENINGS TO MEET OR EXCEED DESIGN PRESSURE RANGE AS SPECIFIED ON SHEET TBL.
THE BUILDING RISK CATEGORY IS 'II'.
INTERNAL PRESSURE COEFFICIENT IS .18 IN ACCORDANCE WITH ASCE 7-10.
ALL GLAZING IS TO BE IMPACT RESISTANT.

CHICKEN SALAD CHICK RESTAURANT - WELLINGTON

OWNER/REP.: MILES COGGINS, DIRECTOR OF DESIGN AND CONSTRUCTION, CHICKEN SALAD CHICK, 724 NORTH DEAN ROAD, AUBURN, AL 36830, PH: 561/261-7755
PROJECT LOCATION: 12792 FOREST HILL BOULEVARD, WELLINGTON, FL 33414
GENERAL CONTRACTOR: ROYAL FAMILY BUSINESSES, CONSTRUCTION MANAGER, MIKE TRAMMELL, 324 SW 16TH STREET, BELLE GLADE, FL 33480, PH: 561-261-7755

BPF
DESIGN INCORPORATED
ARCHITECTURE, DESIGN, & DRAWING SERVICES
AA 2601108
BRIAN P. FREDLEY, ASSOC. AIA, PROJECT MANAGER
DALLAS B. PEACOCK, AIA, ARCHITECT
AR 0009706
207 FAIRVIEW AVENUE, DAYTONA BEACH, FL 32114
PH: (386) 257-0002 FAX: (386) 257-1055
E-MAIL: bpfdesign@clrr.com WEBSITE: bpfdesign.com

DUMPSTER ENCLOSURE DETAIL

DATE: AUGUST 7, 2022
SCALE: N.T.S.
SHT NO. CI

ARCHITECT'S / ENGINEER'S SEAL